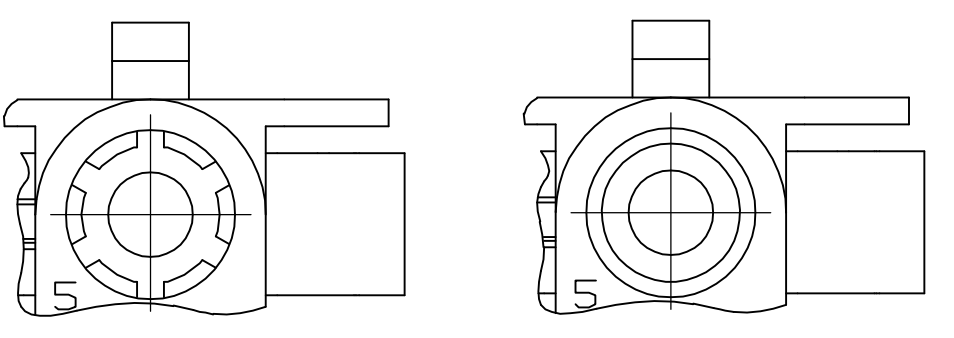


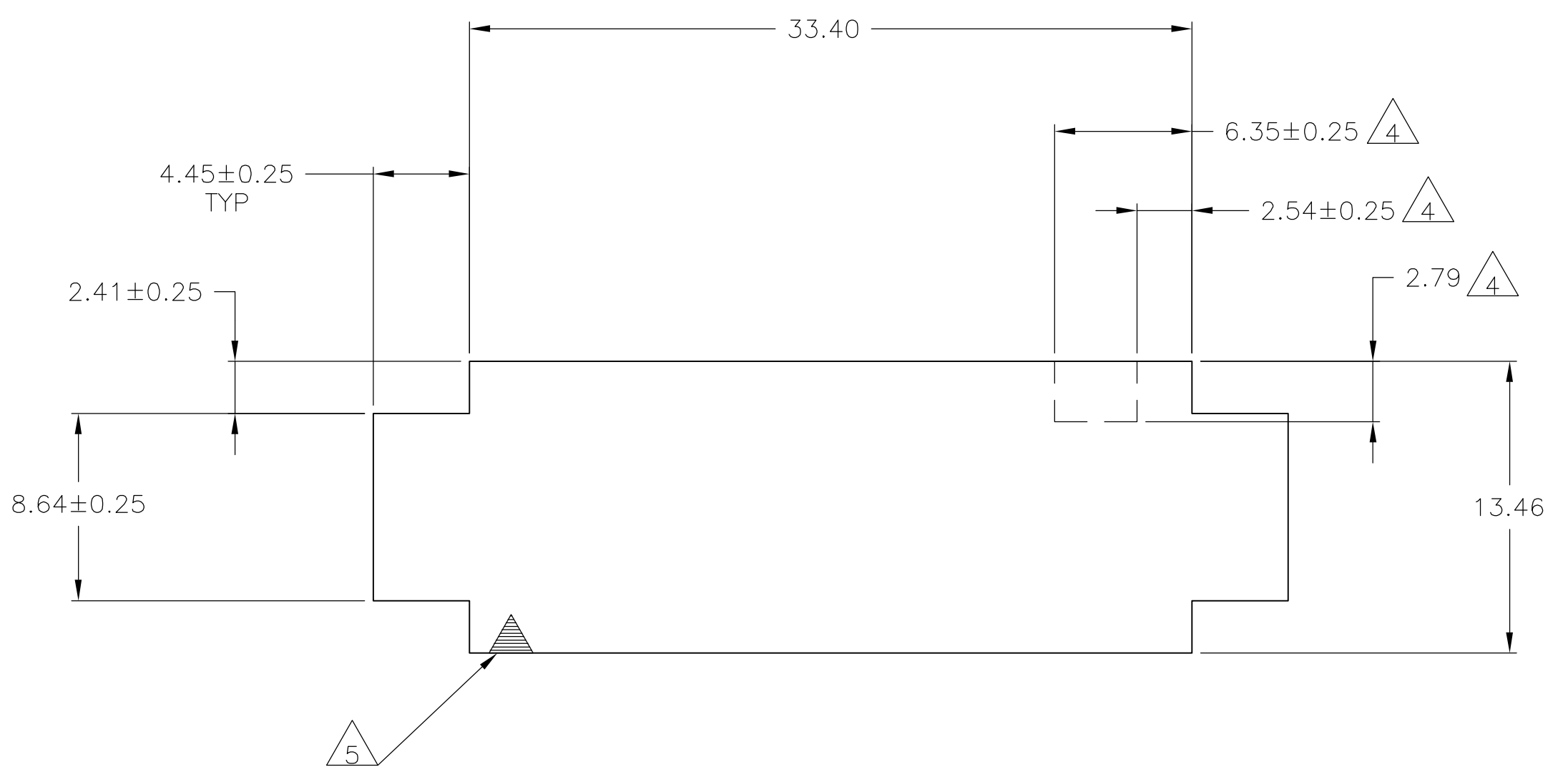
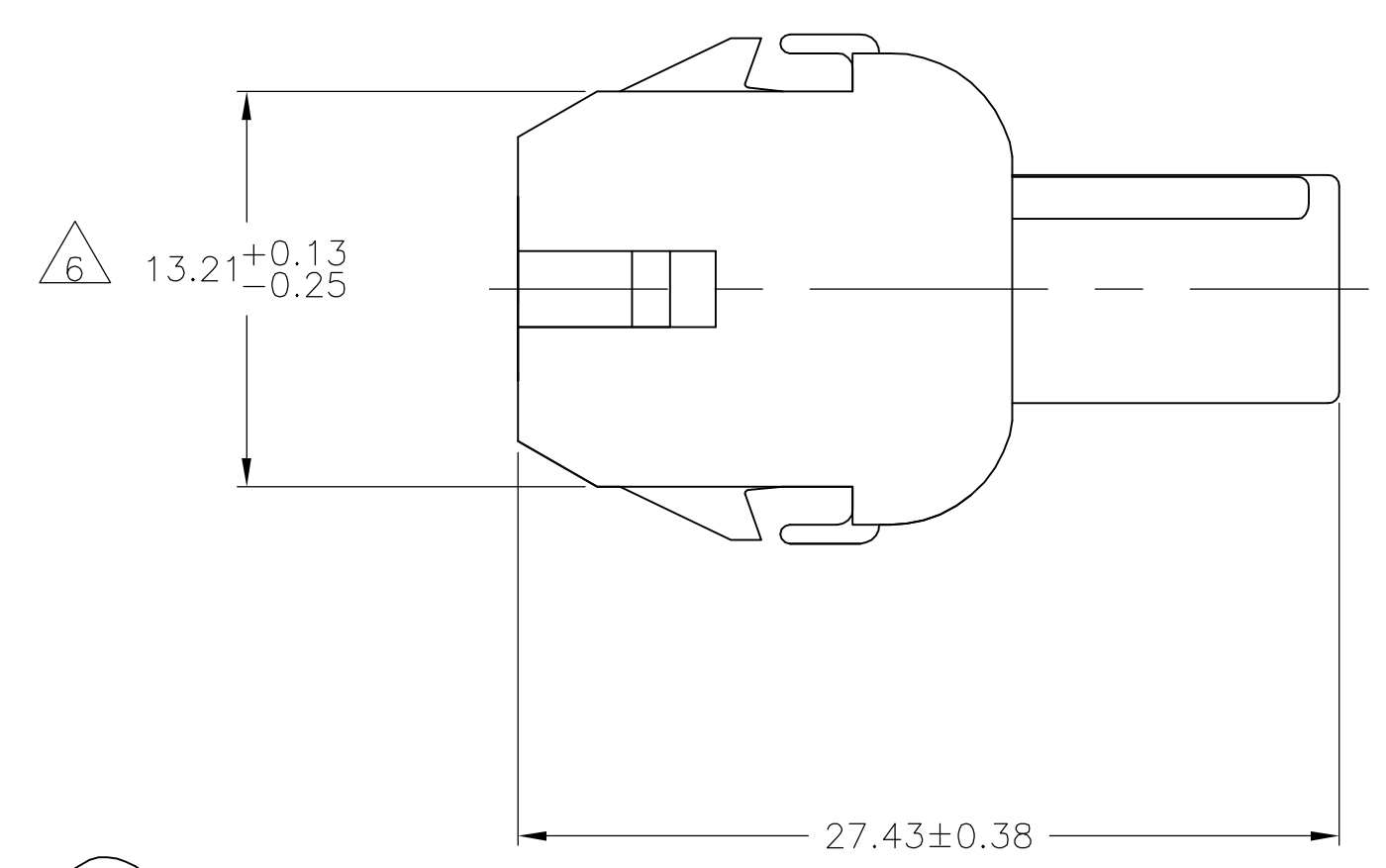
SEE DETAIL A

- MATES WITH APPROPRIATE UNIVERSAL MATE-N-LOK™ PLUG.
- RECOMMENDED PANEL THICKNESS 0.76 - 2.29.
- PANEL MUST BE PUNCHED SO THAT THE HOUSING ENTERS THE PANEL IN THE SAME DIRECTION AS THE PUNCH.

- △ 4 OPTIONAL FOR KEYING HOUSING IN PANEL.
- △ 5 CIRCUIT NUMBER 1 LOCATION.
- △ 6 DIMENSION INDICATED IS AS MOLDED. ADDITIONAL GROWTH DUE TO SUBSEQUENT MOISTURE ABSORPTION MAY OCCUR.
- △ 7 FOUR RIBS EQUALLY SPACED, NO SPECIFIC ORIENTATION. NO RIBS OR SIX RIBS EQUALLY SPACED, NO SPECIFIC ORIENTATION, OPTIONAL.
- △ 8 UNDERWRITERS RECOGNIZED COMPONENT LOGO AND CSA CERTIFICATION LOGO TO BE LOCATED ONCE EACH ON SIDE OF HOUSING.



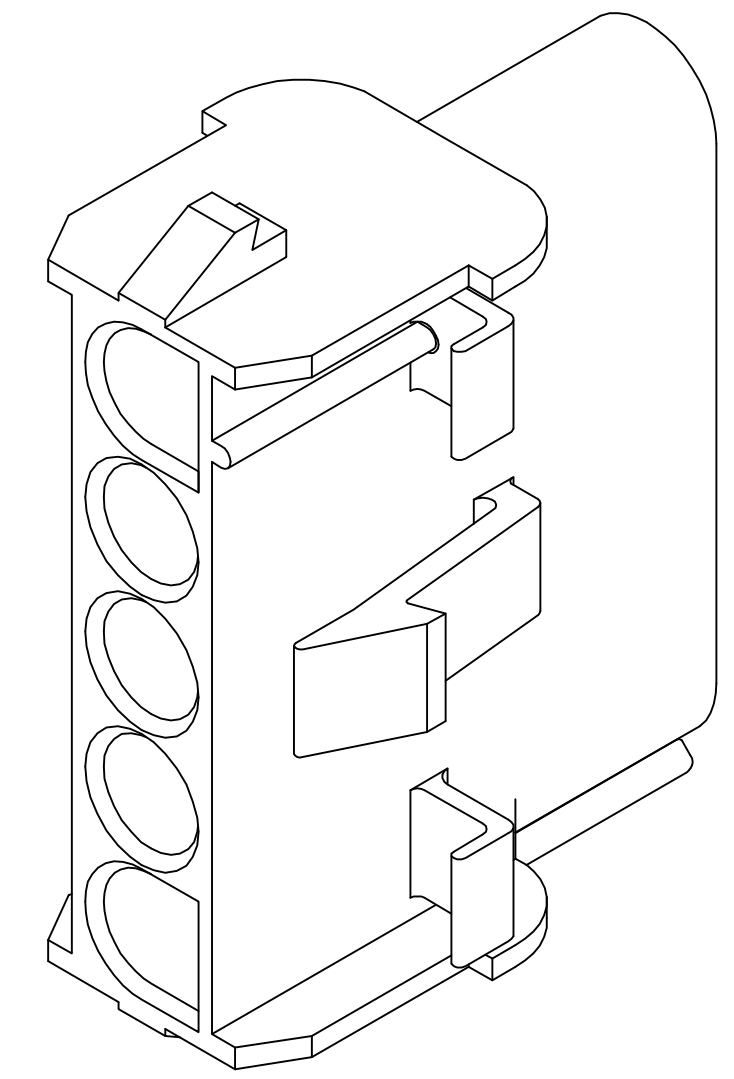
DETAIL E
OPTIONAL CONSTRUCTIONS



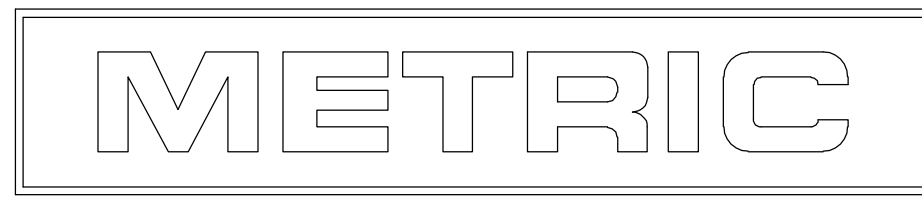
RECOMMENDED PANEL CUT OUT

4.45	.175	33.40	1.315
2.79	.110	33.02	1.300
2.54	.100	27.43	1.080
2.41	.095	13.46	.530
2.29	.090	13.21	.520
0.76	.030	8.64	.340
0.38	.015	8.13	.320
0.25	.010	7.62	.300
0.13	.005	6.35	.250
MM	IN	MM	IN

CONVERSION TABLE



3-DIMENSIONAL MODEL
NTS



BLACK	1-350810-9
GRAY	1-350810-8
BLUE	1-350810-6
GREEN	1-350810-5
YELLOW	1-350810-4
ORANGE	1-350810-3
RED	1-350810-2
BROWN	1-350810-1
NATURAL	350810-1
COLOR	PART NUMBER

THIS DRAWING IS A CONTROLLED DOCUMENT.

DIMENSIONS:	TOLERANCES UNLESS OTHERWISE SPECIFIED:	DWN	K. WHITAKER	07JUL92		Tyco Electronics Corporation Harrisburg, PA 17105-3608
mm	0 PLC ± - 1 PLC ± - 2 PLC ± 0.13 3 PLC ± - 4 PLC ± - ANGLES ± 1°	CHK	R. SWING	07JUL92		NAME
		APVD	D. SELF	08JUL92	PRODUCT SPEC	
MATERIAL NYLON,UL 94V-0		FINISH	-		APPLICATION SPEC	
		SIZE	A1	00779	SCALE	4:1
		WEIGHT	-		DRAWING NO	C=350810
		CUSTOMER DRAWING			SHEET	1 OF 1
					REV	W1